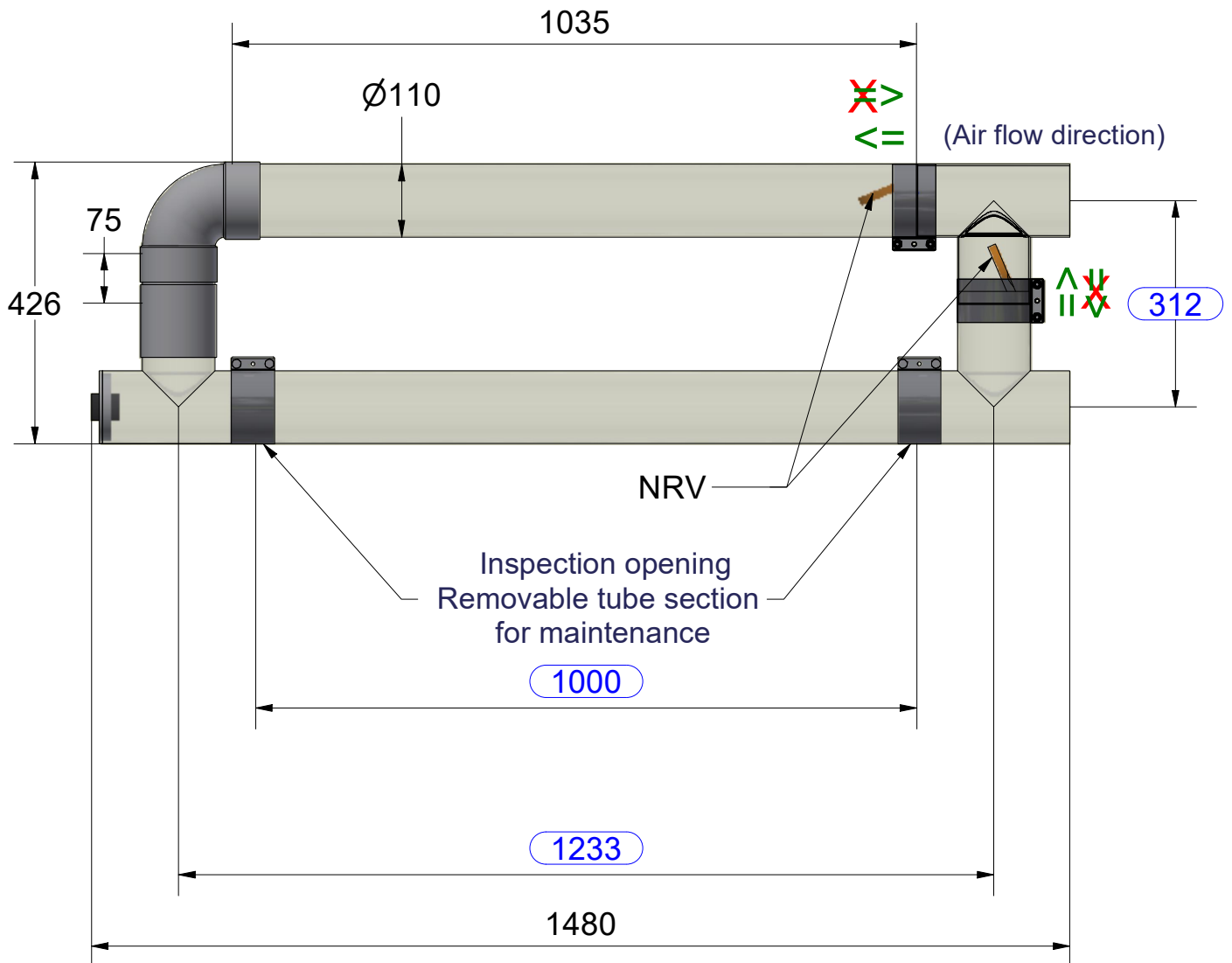


1.2610.6.60 Bypass Mounting position: Type 1 Horizontal

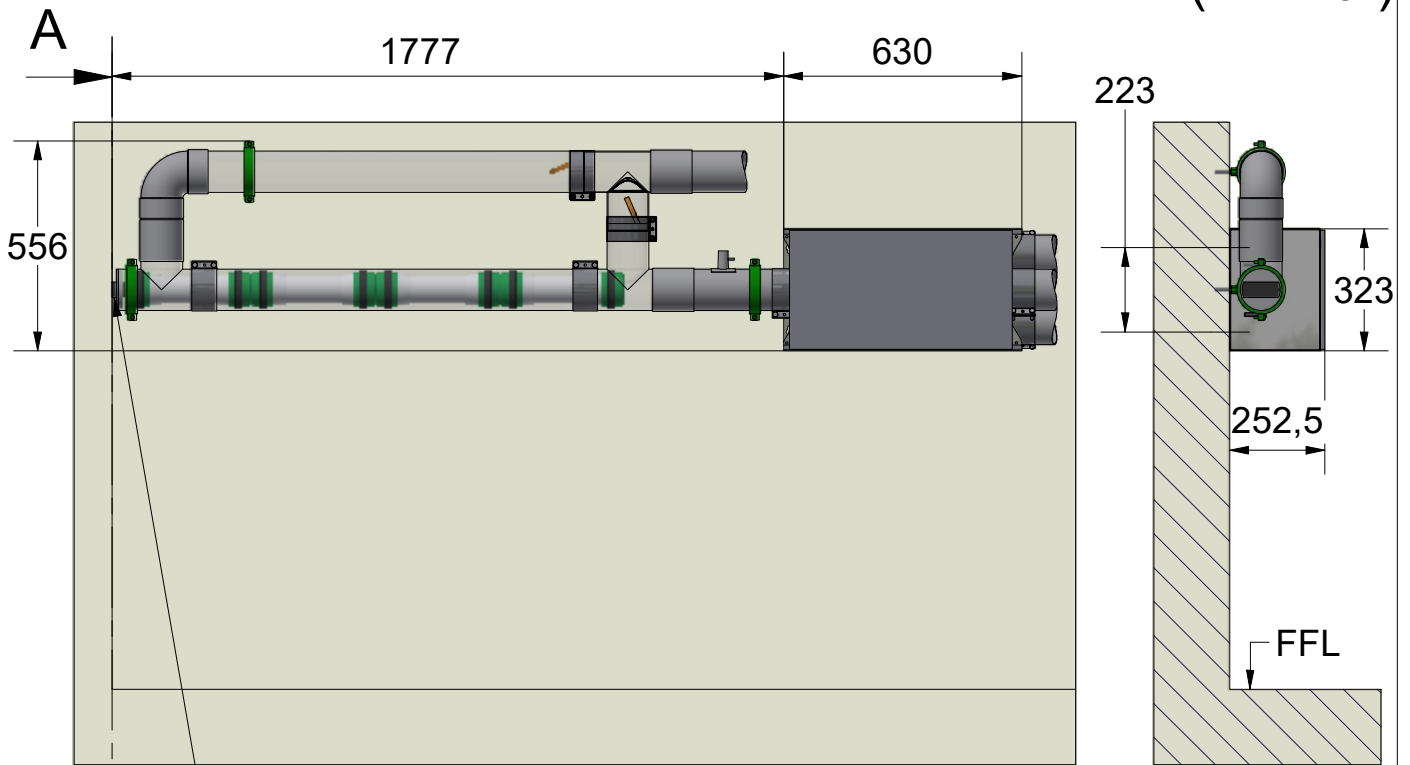


NRV = non return valve

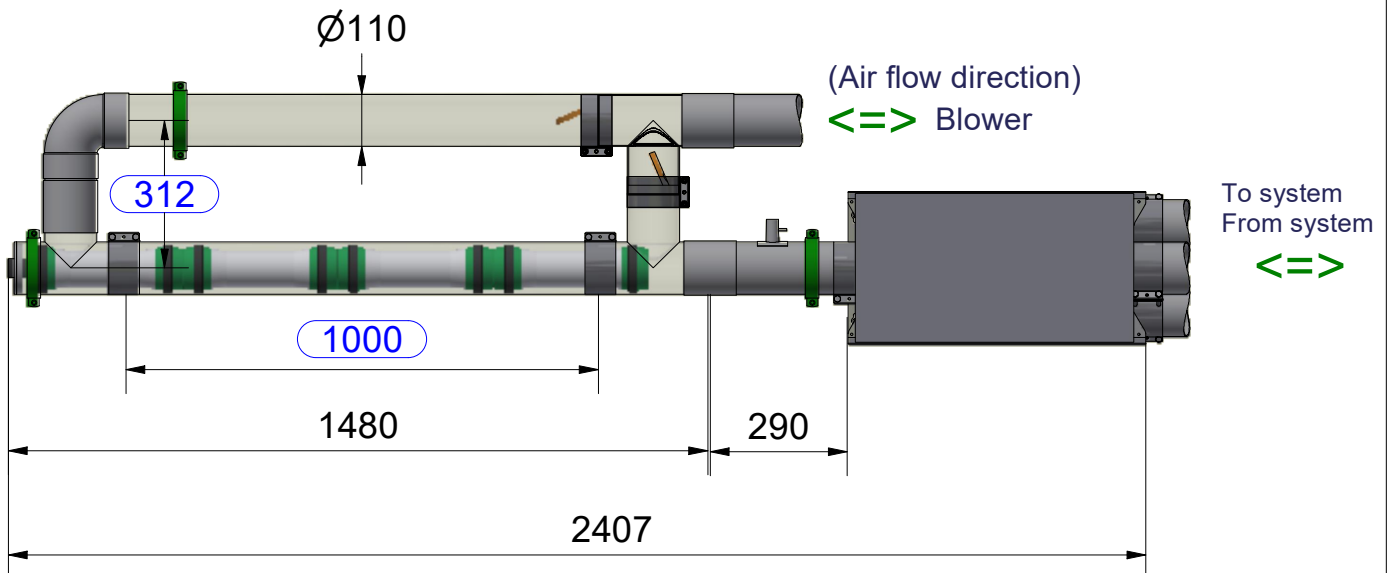
In the interest of continuous improvement and upgrade of our products Hörtig reserves the right to change the technical specifications at any time, without prior notice.

Application with 1.2610.6.60 Bypass
 Mounting position: Type 1
 "Horizontal anchored to the wall"

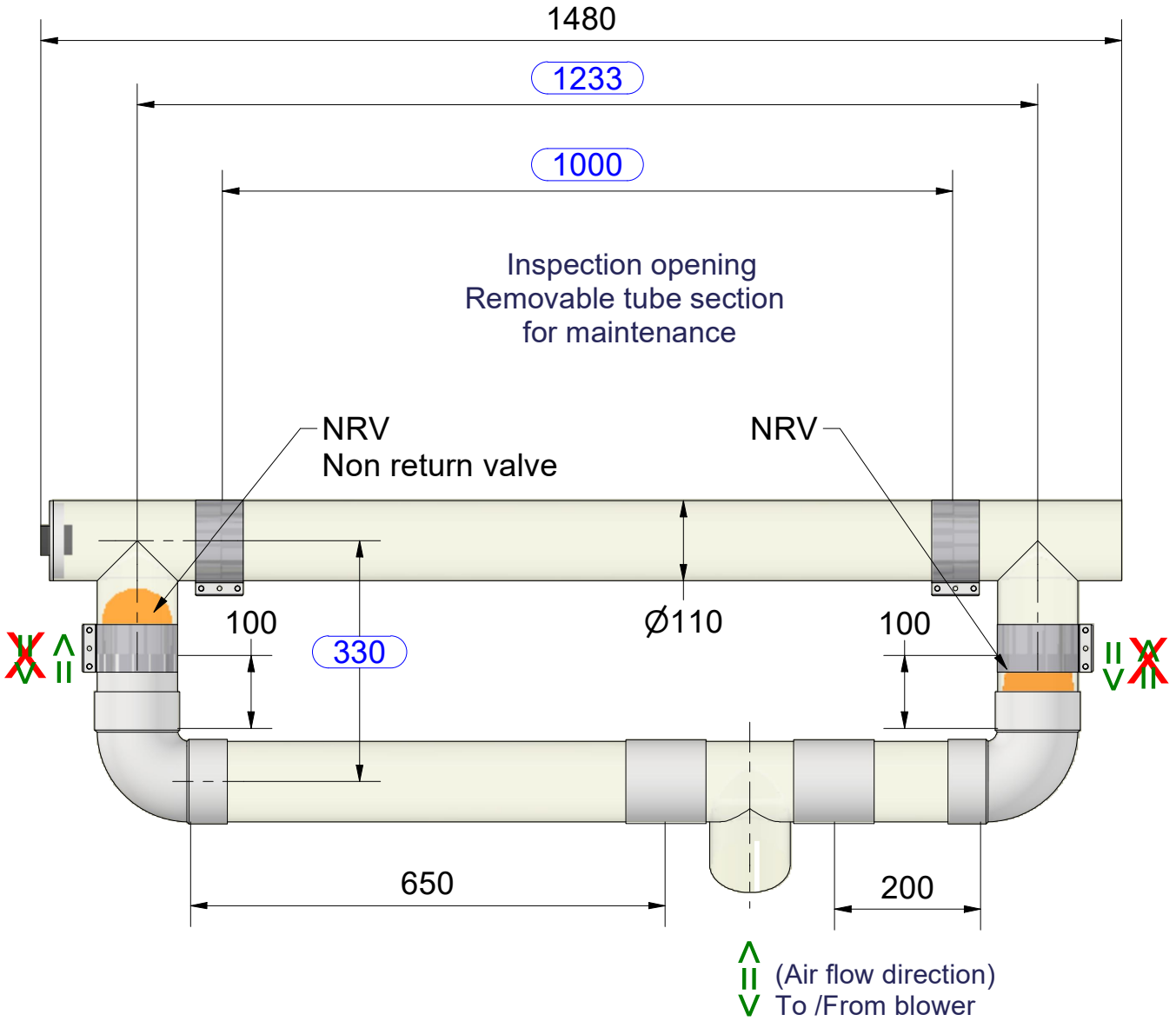
A-A (1 : 20)



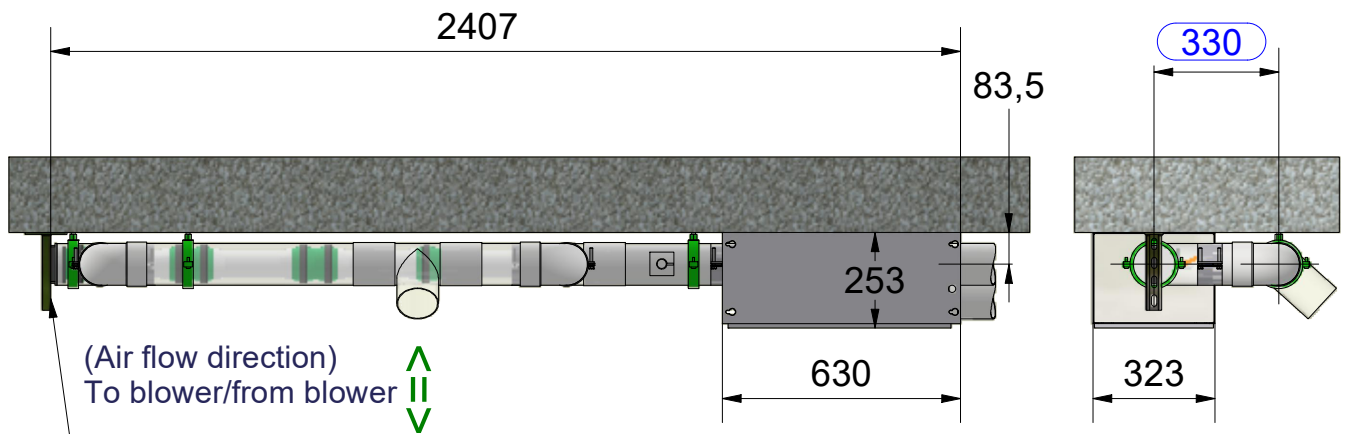
The foam rubber band from the end of the bypass
 "touches" the wall (in not compressed position)
 It could be a wall or a cantilever arm



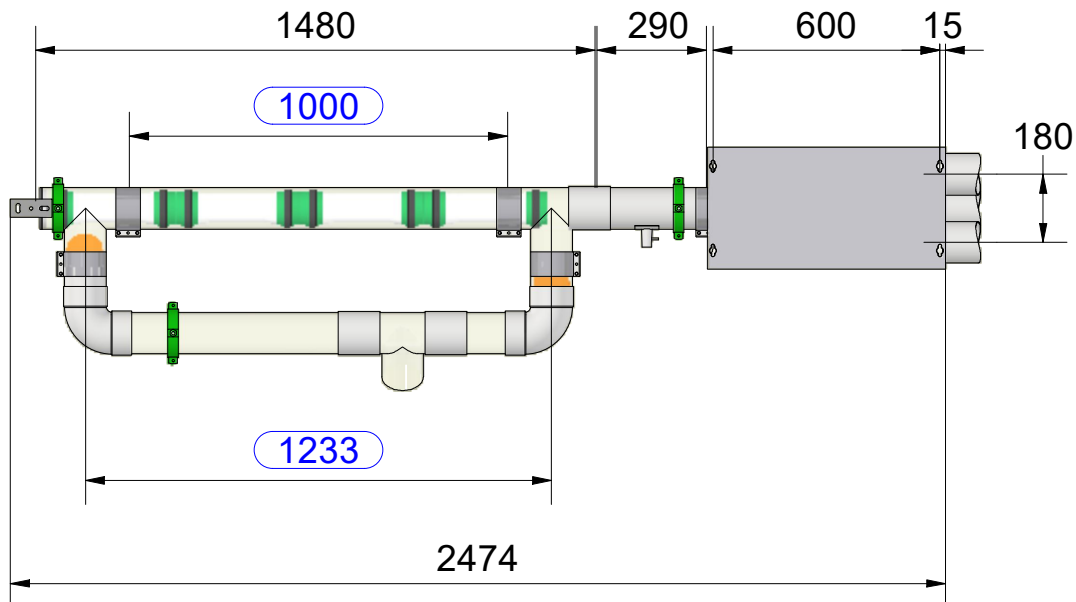
1.2610.6.60 Bypass Mounting position: Type 2 "Horizontal under the ceiling"



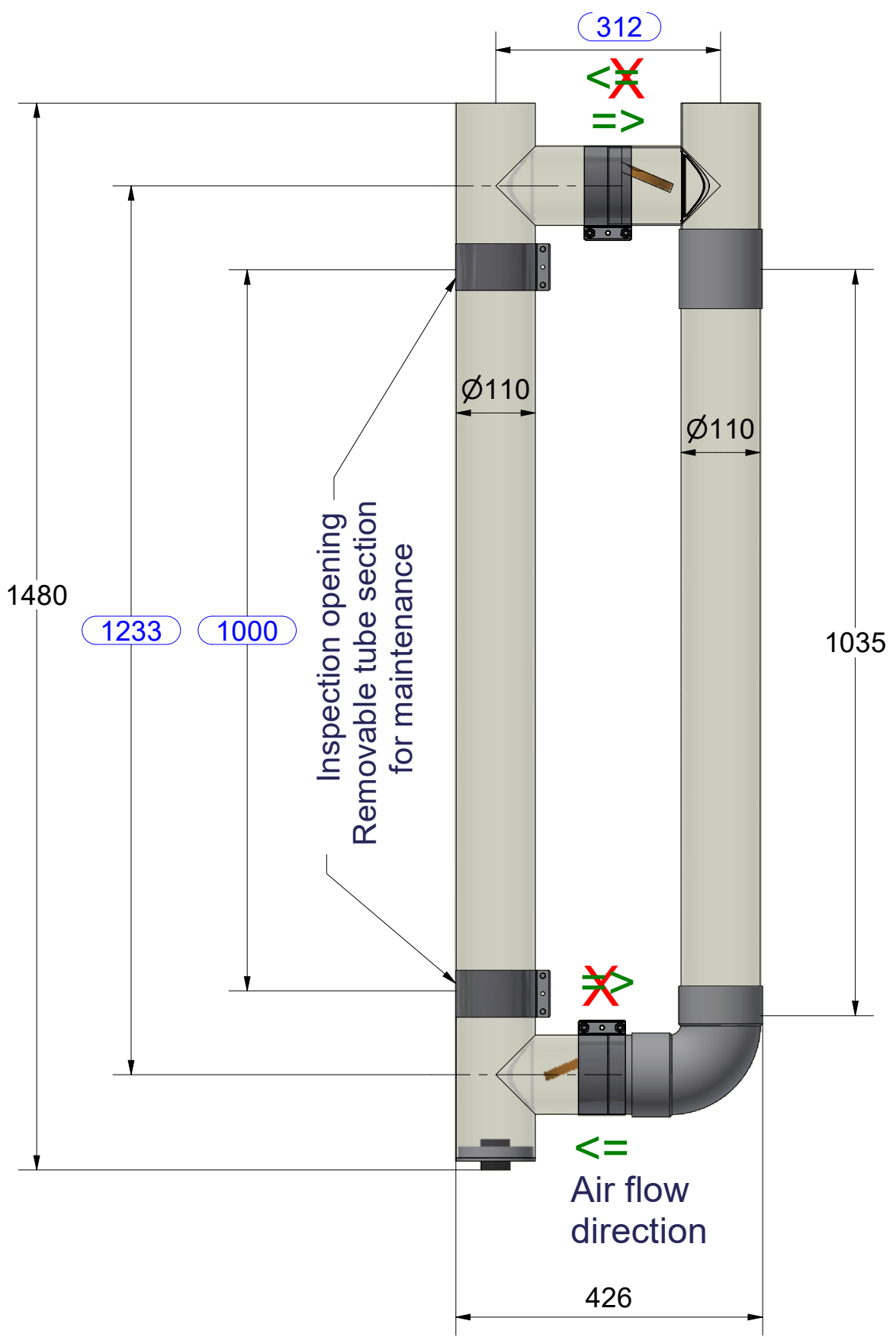
Application with 1.2610.6.60 Bypass Mounting position: Type 2 "Horizontal under the ceiling"



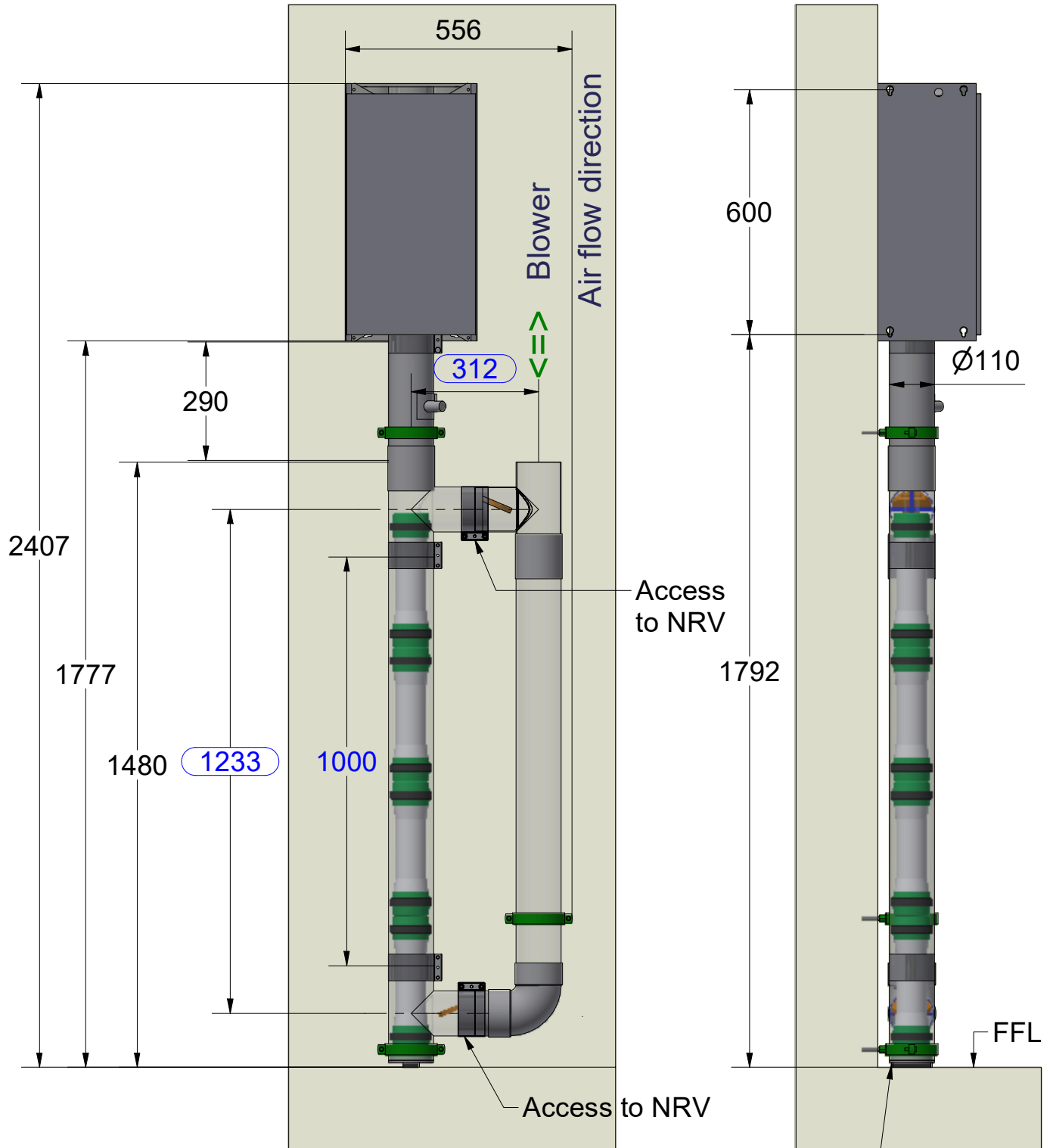
Cantilever arm or wall aligned with the unpressed foam rubber band from the end of the bypass



1.2610.6.60 Bypass Mounting position: Type 3 Vertical



Application with 1.2610.6.60 Bypass
 Mounting position: Type 3
 "Vertical anchored to the wall"



Foam rubber band from the end of the bypass sits unpressed on the floor