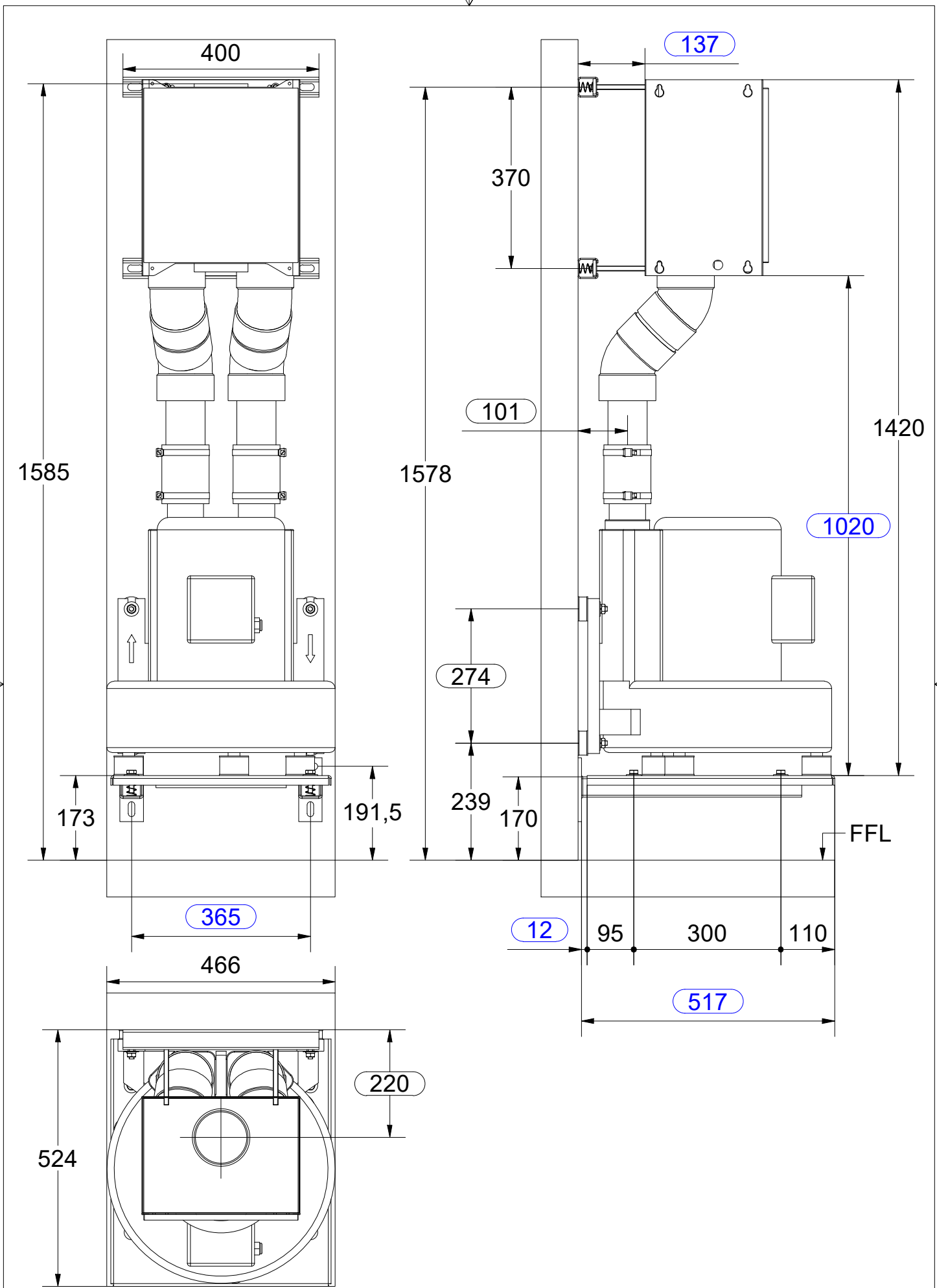
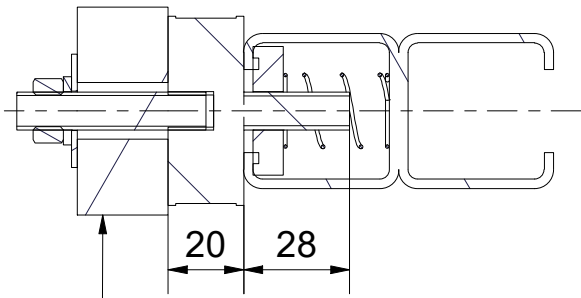


Blower Art# 1.2187.3.0C
Blower Art# 1.2188.3.0C

In the interest of continuous improvement and upgrade of our products Hörtig reserves the right to change the technical specifications at any time, without prior notice.

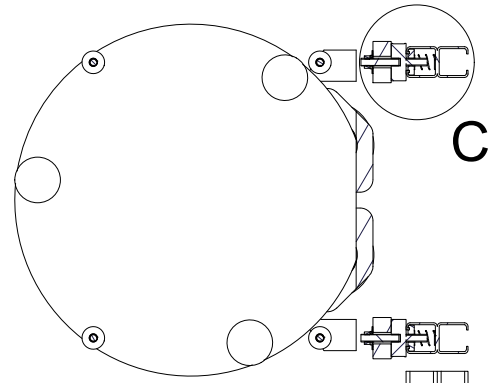


C (1 : 2)

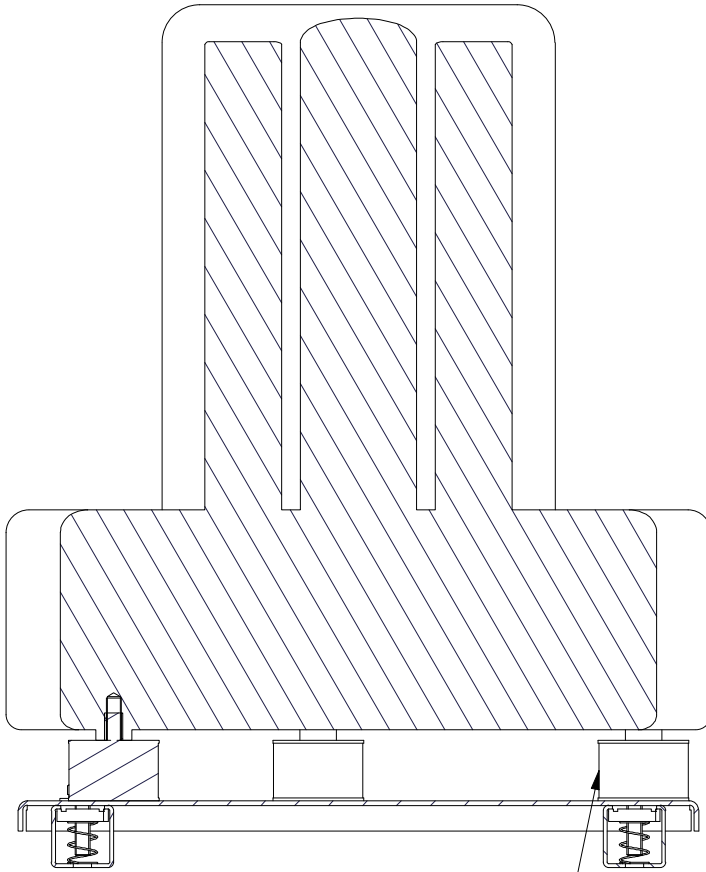


Blower fixed to the strut
 (4x) M10 Threaded rod/Nut/Lock washer/Washer
 (4x) M10x28 Rubber-Metal Buffer + M10 slide nut

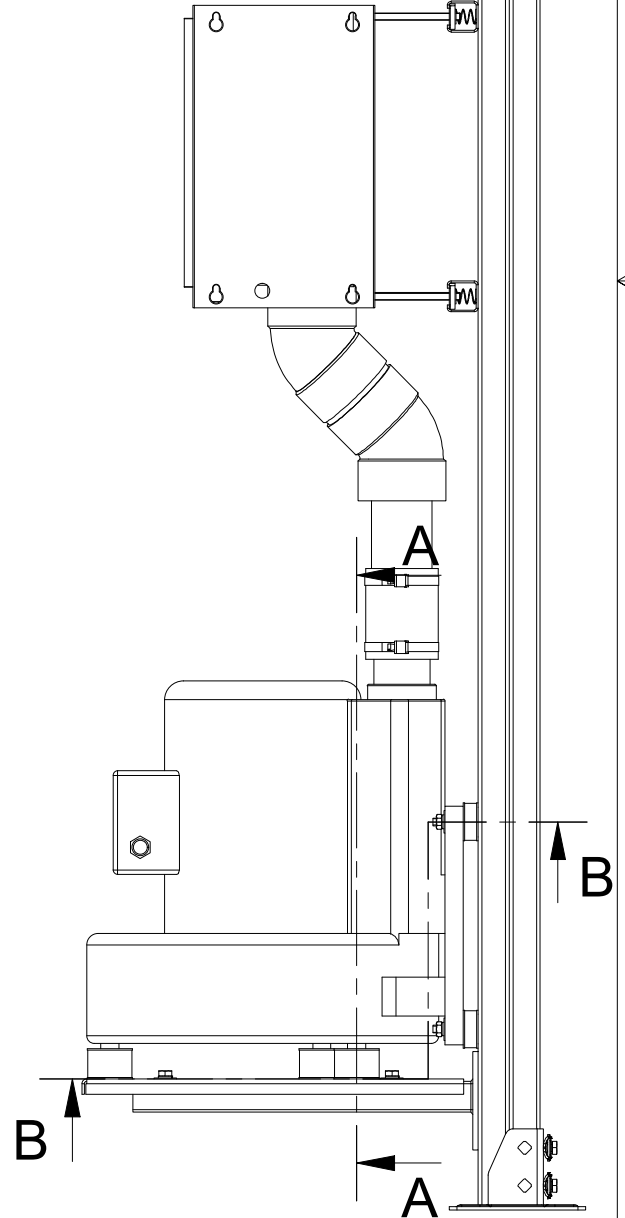
B-B (1 : 10)



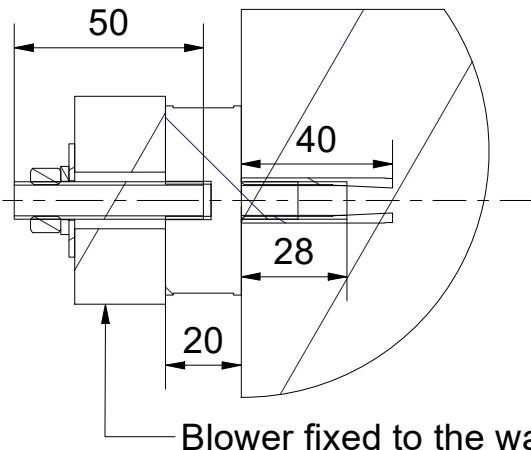
A-A (1 : 5)



Blower standing on console
 (or a base)
 (3x) M12x18 Rubber-Metal Buffer



F (1 : 2)

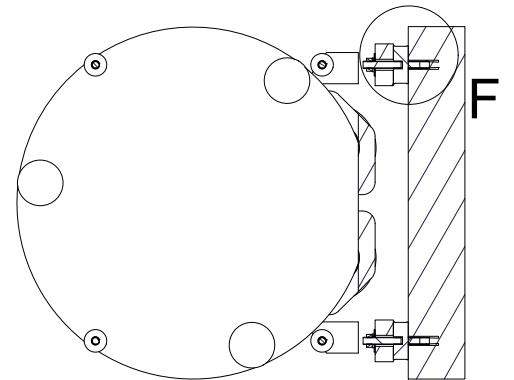


Blower fixed to the wall

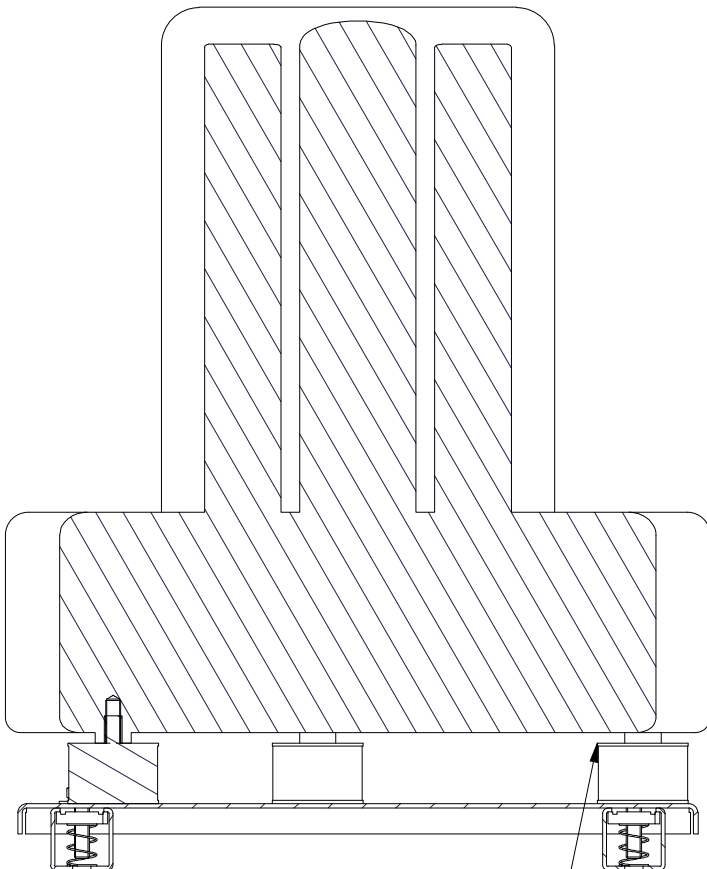
(4x) M10 Threaded rod/Nut/Lock washer/Washer

(4x) M10x28 Rubber-Metal Buffer + M10x40 dowel

E-E (1 : 10)

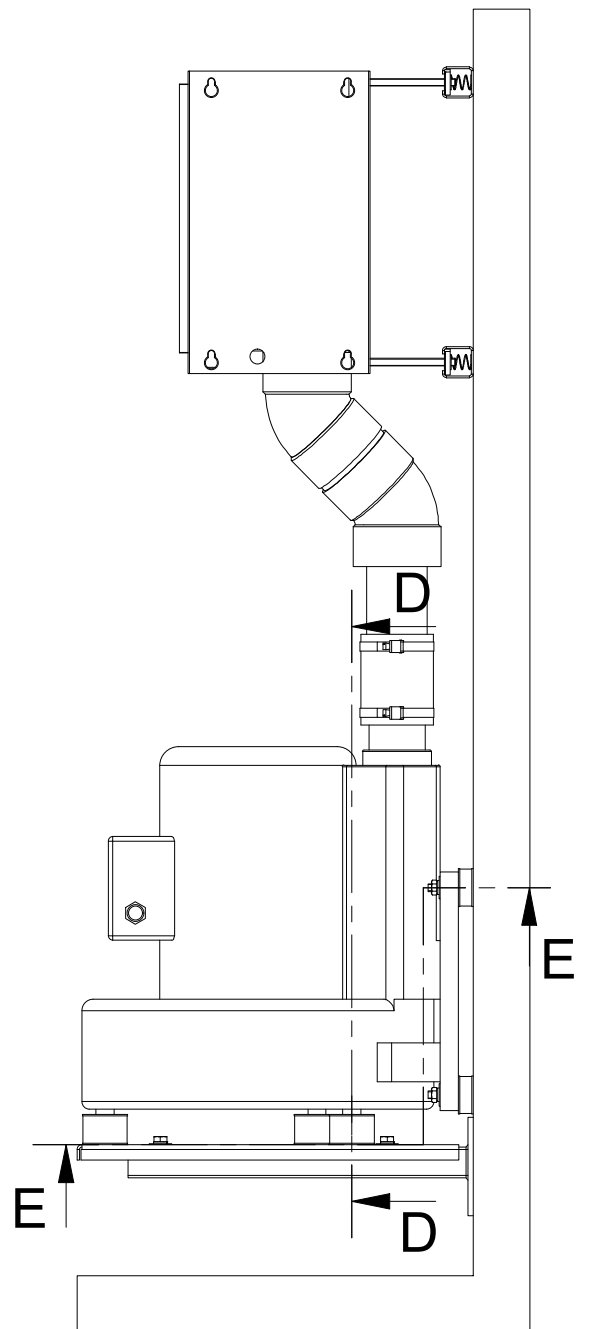


D-D (1 : 5)



Blower standing on console
(or a base)

(3x) M12x18 Rubber-Metal Buffer



G-G (1 : 10)

