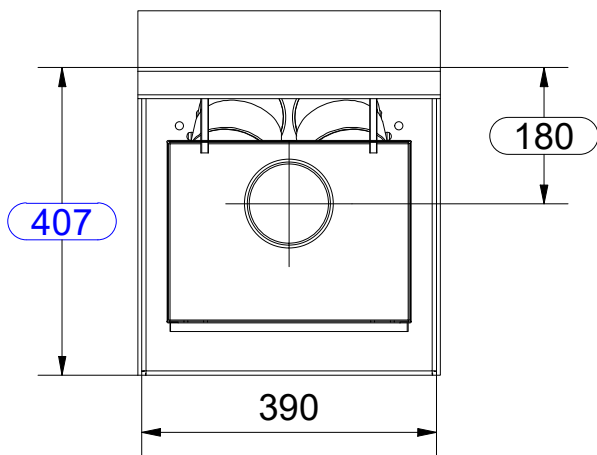
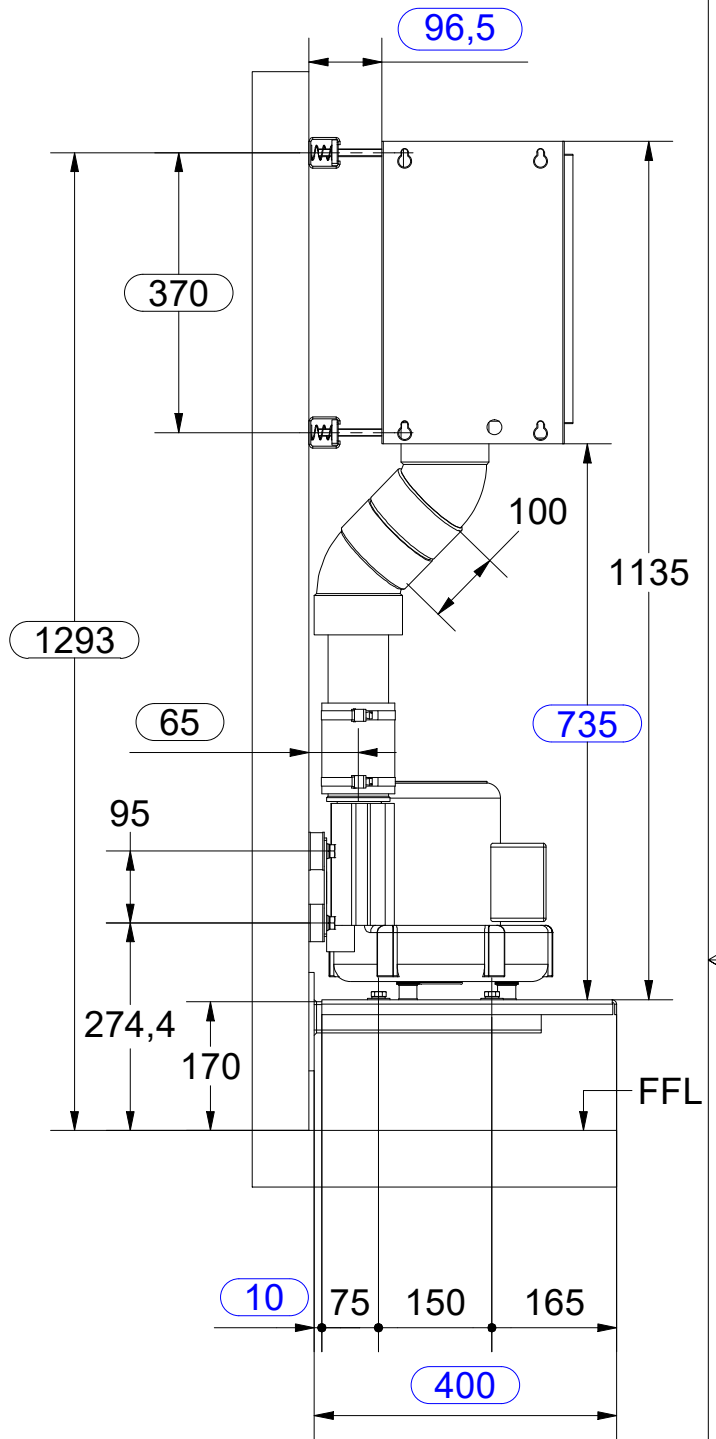
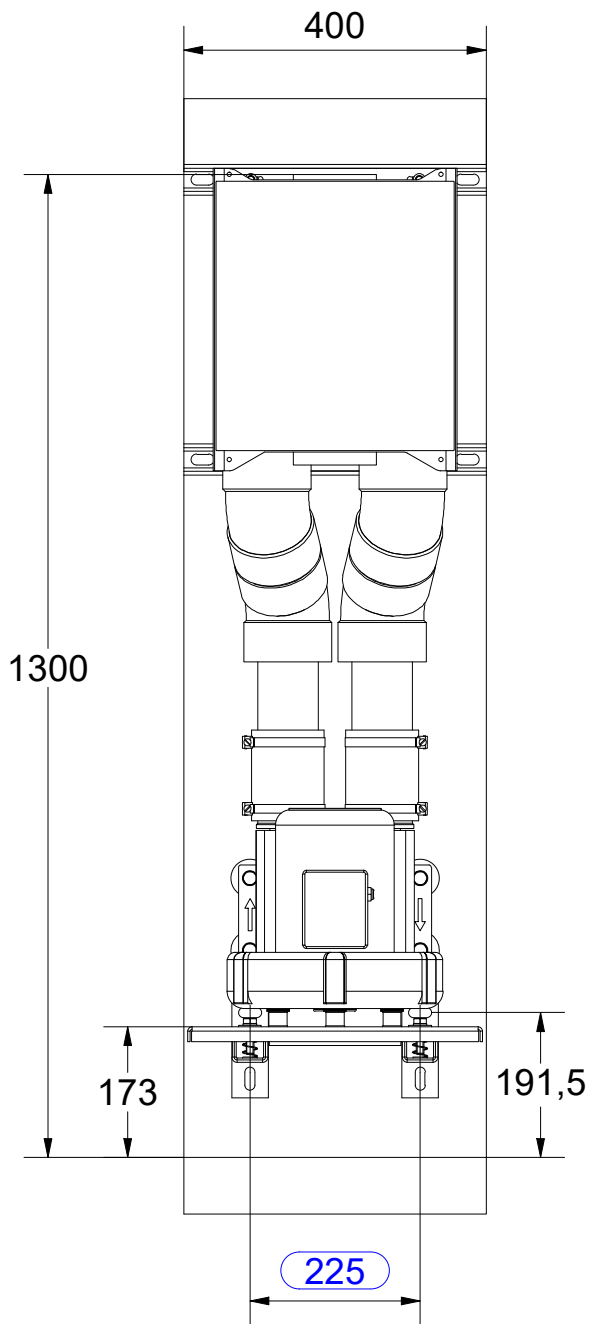
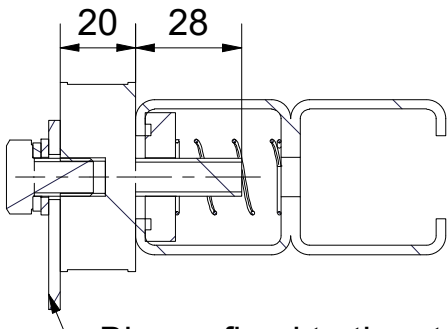


In the interest of continuous improvement and upgrade of our products Hörtig reserves the right to change the technical specifications at any time, without prior notice.



C (1 : 2)

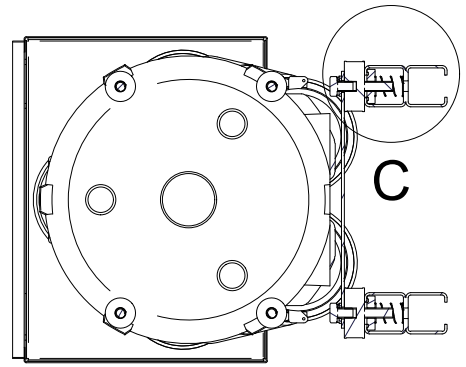


Blower fixed to the strut

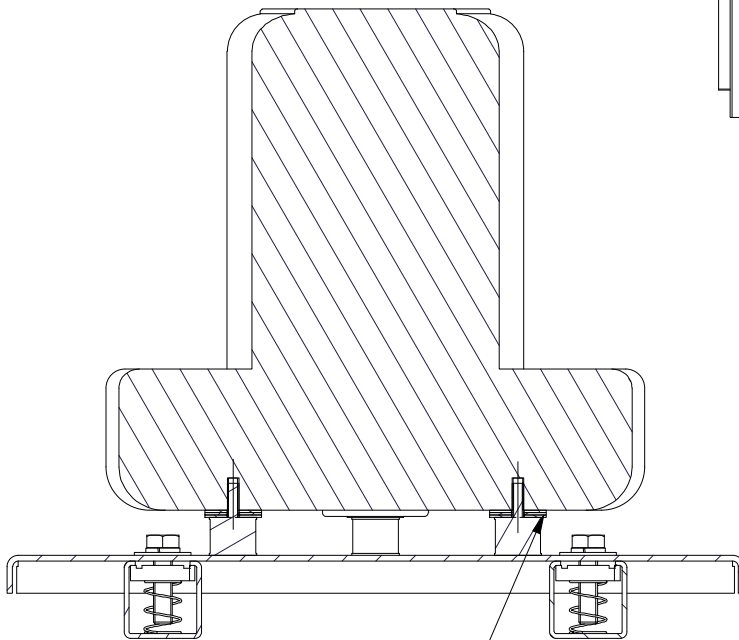
(4x) M10x16 Hex-head screw/Lock washer/Washer

(4x) M10x28 Rubber-Metal Buffer + M10 slide nut

B-B (1 : 7.5)



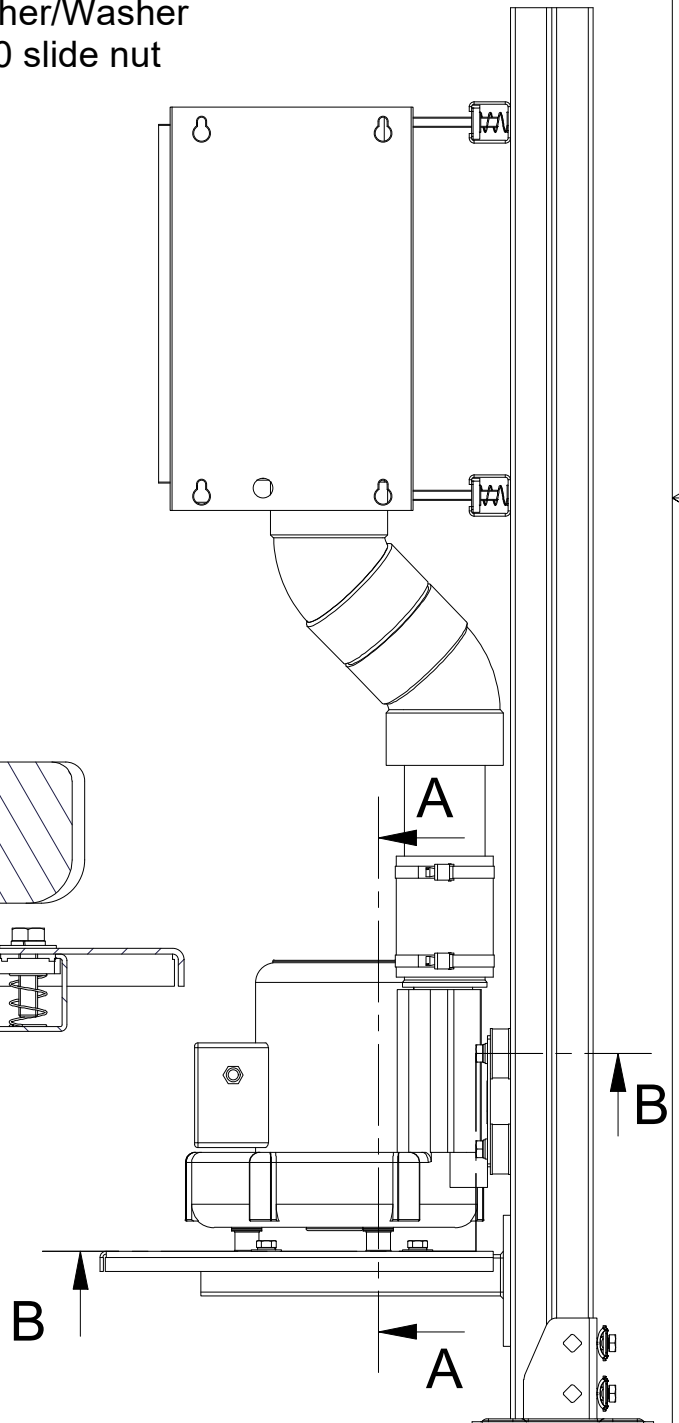
A-A (1 : 4)

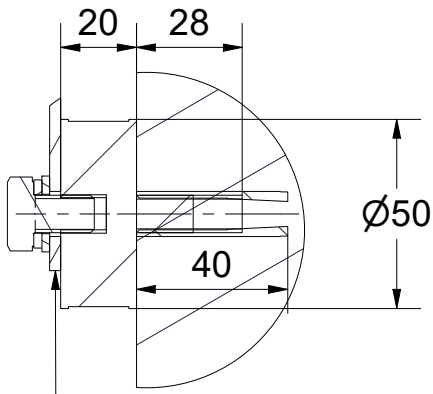


Blower standing on console
(or a base)

(9x) Flat washer DIN522 6.4x30x1.25

(3x) M6x18 Rubber-Metal Buffer



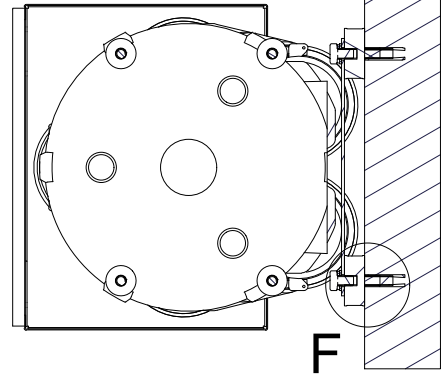


Blower fixed to the wall

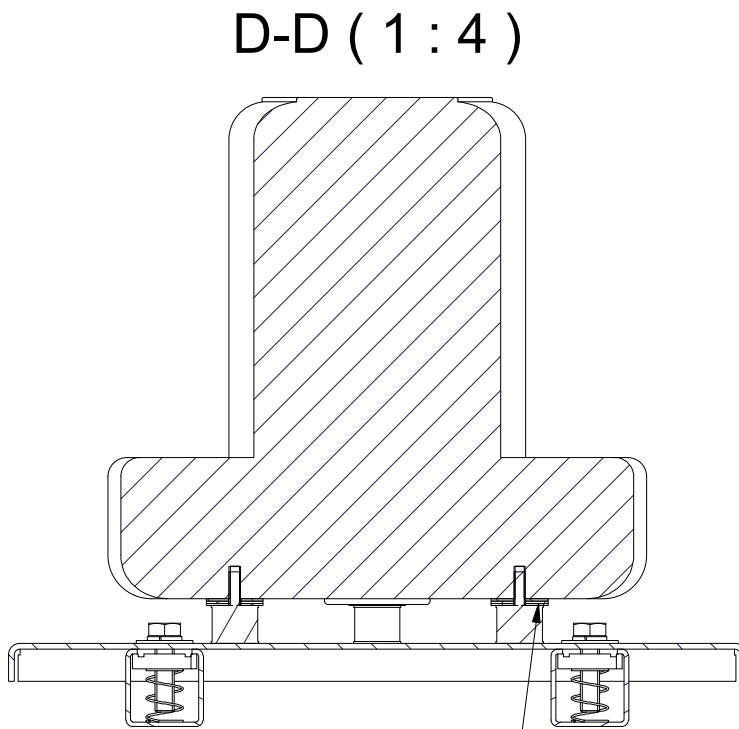
(4x) M10x16 Hex-head screw/Lock washer/Washer

(4x) M10x28 Rubber-Metal Buffer + M10x40 dowel

E-E (1 : 7.5)



F (1 : 2)

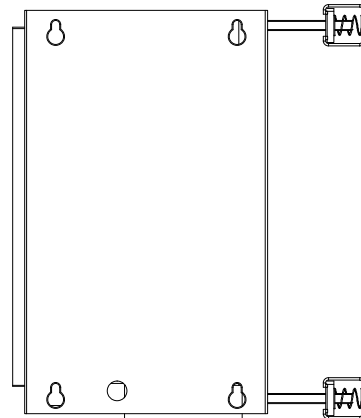


Blower standing on console

(or a base)

(9x) Flat washer DIN522 6.4x30x1.25

(3x) M6x18 Rubber-Metal Buffer



D

E

E

D

G-G (1 : 7.5)

