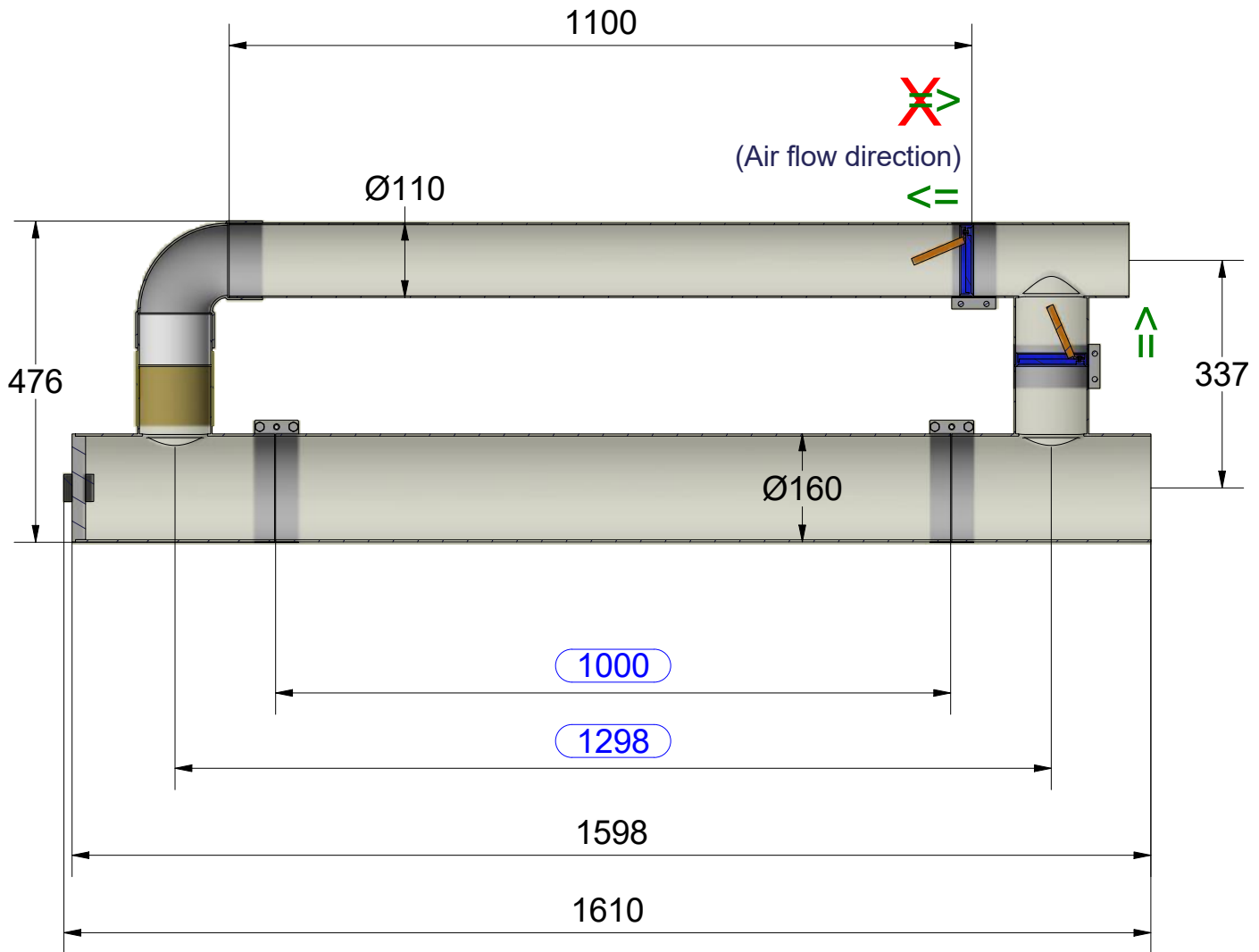


1.2610.T.60_Horizontal Bypass

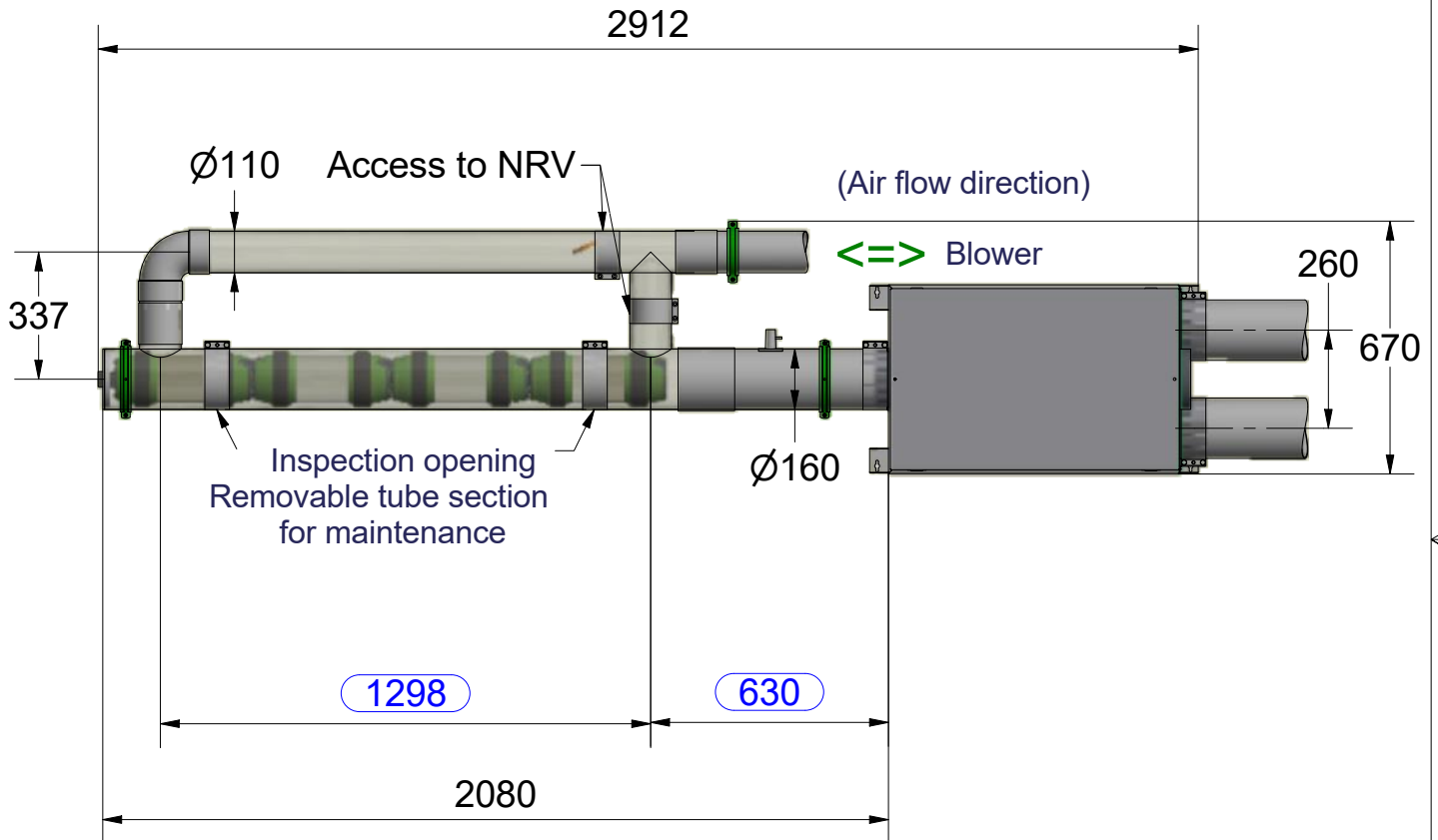
Mounting position: horizontal



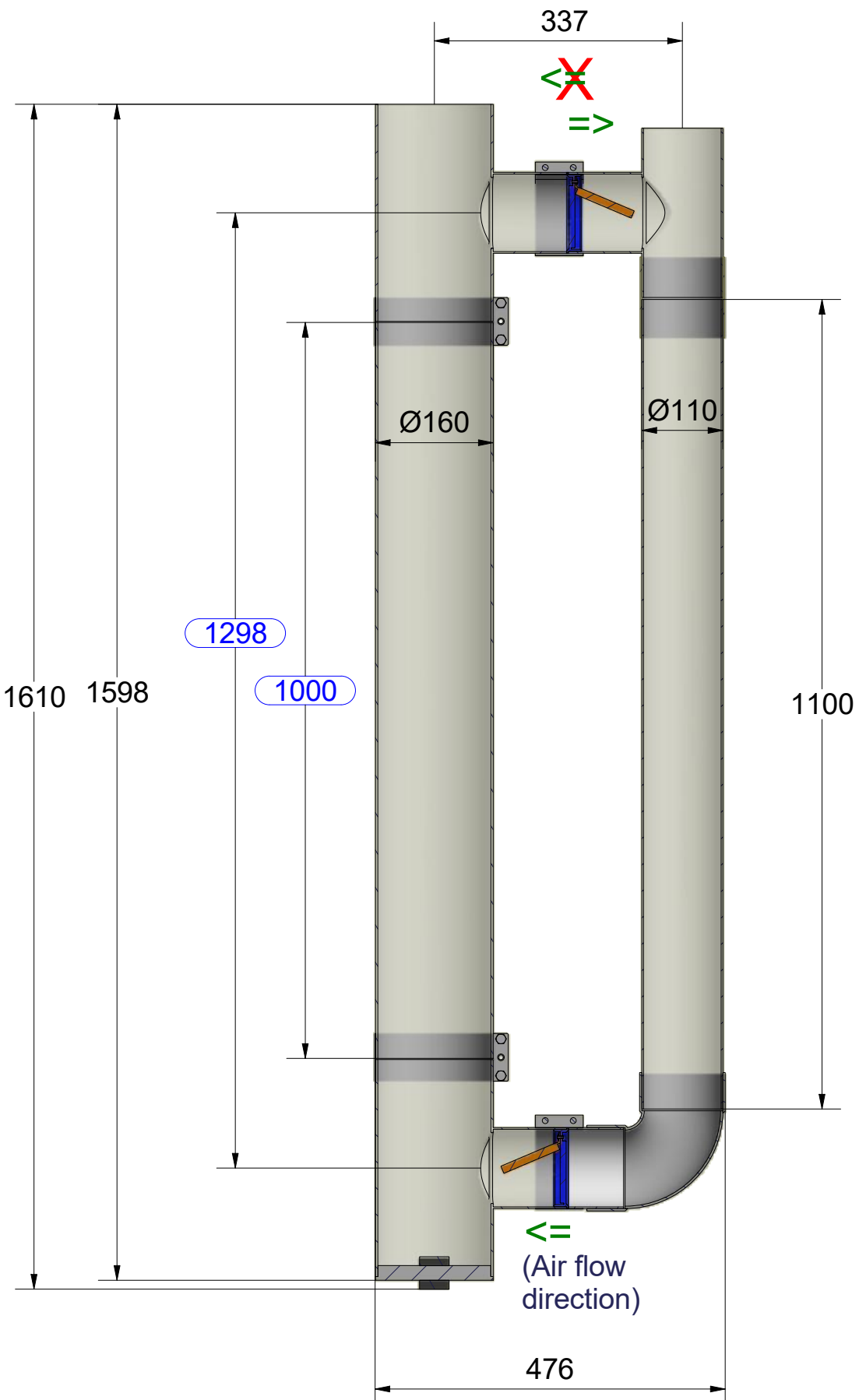
In the interest of continuous improvement and upgrade of our products Hörtig reserves the right to change the technical specifications at any time, without prior notice.

Application for horizontal bypass 1.2610.T.60

Mounting position: horizontal



1.2610.T.60_Horizontal Bypass Mounting position: vertical



Application for horizontal bypass 1.2610.T.60
Mounting position: vertical

