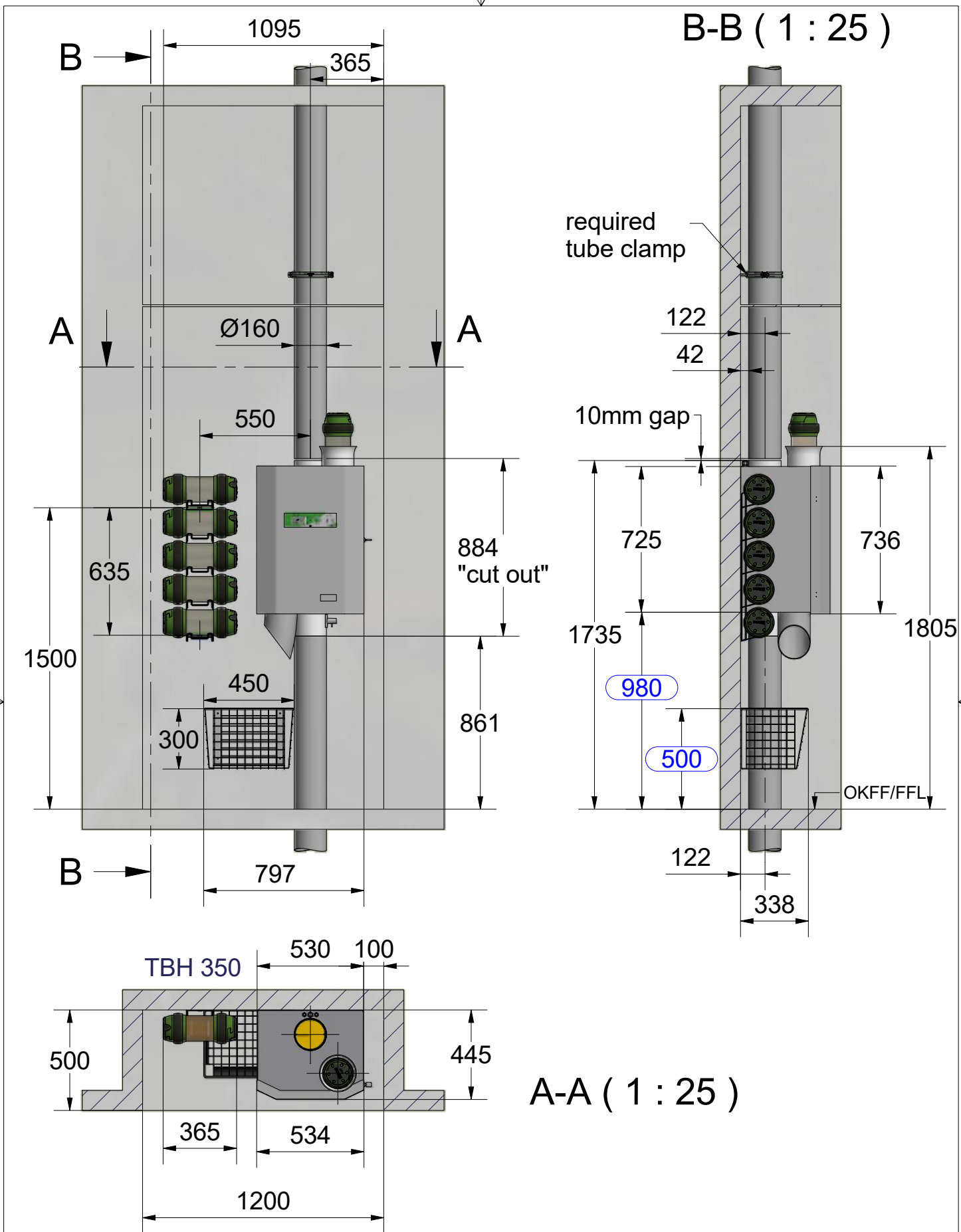
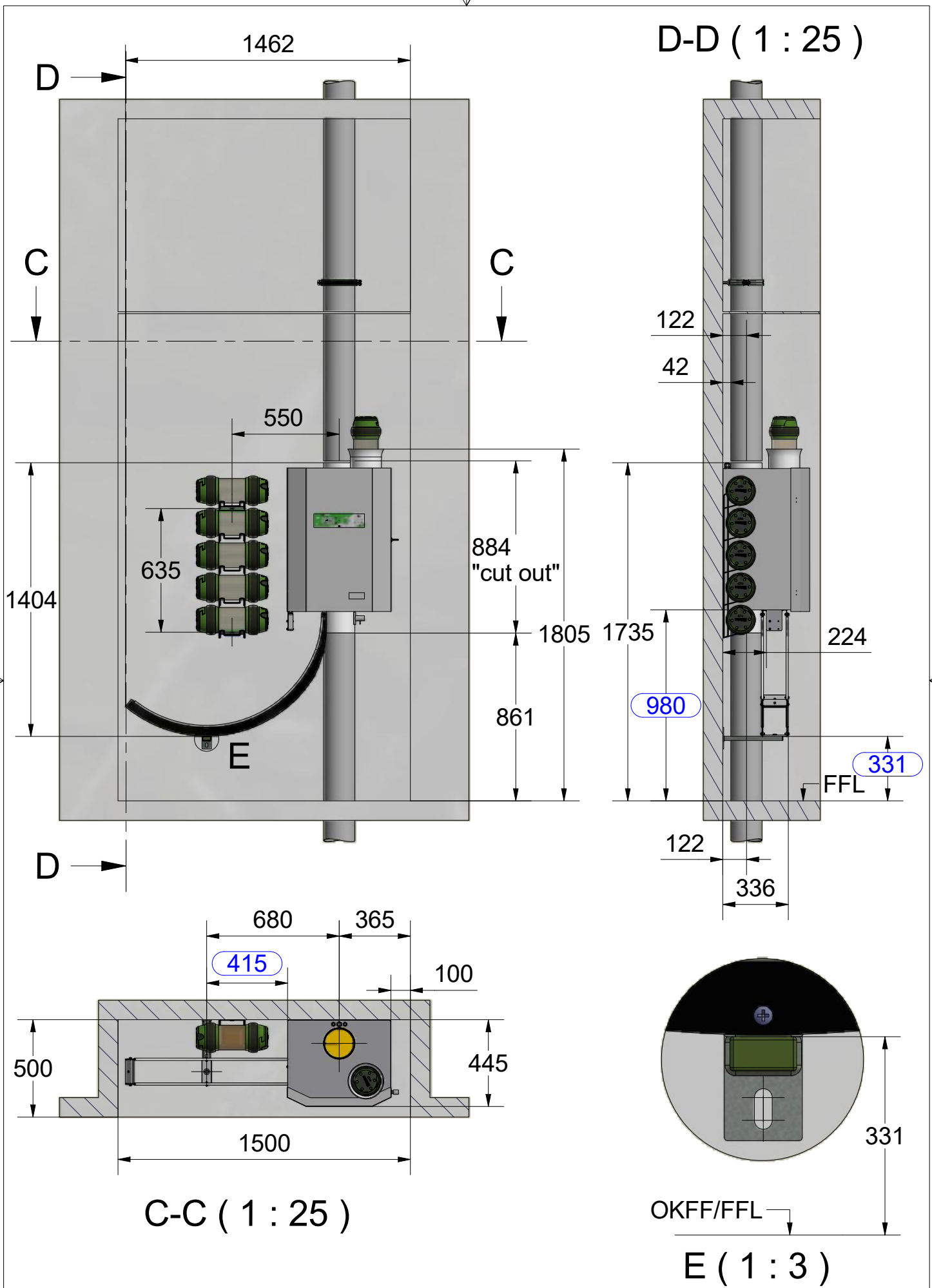
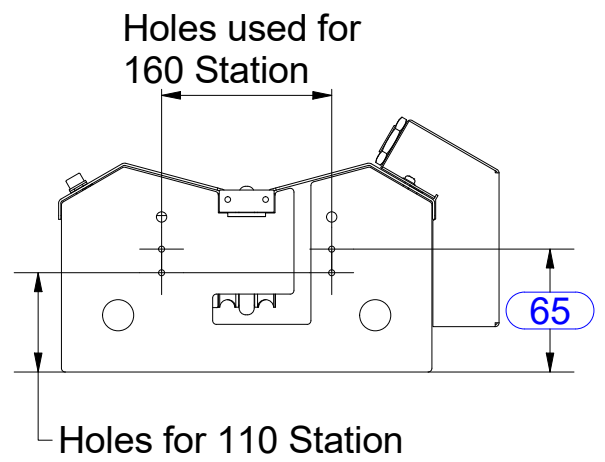
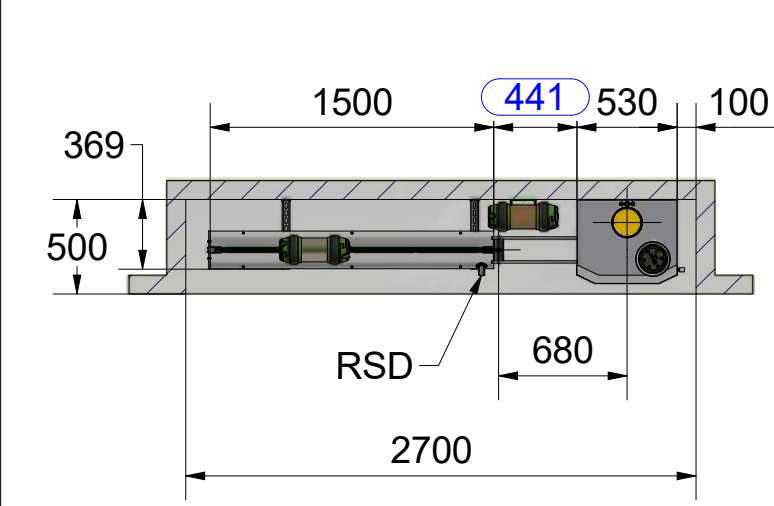
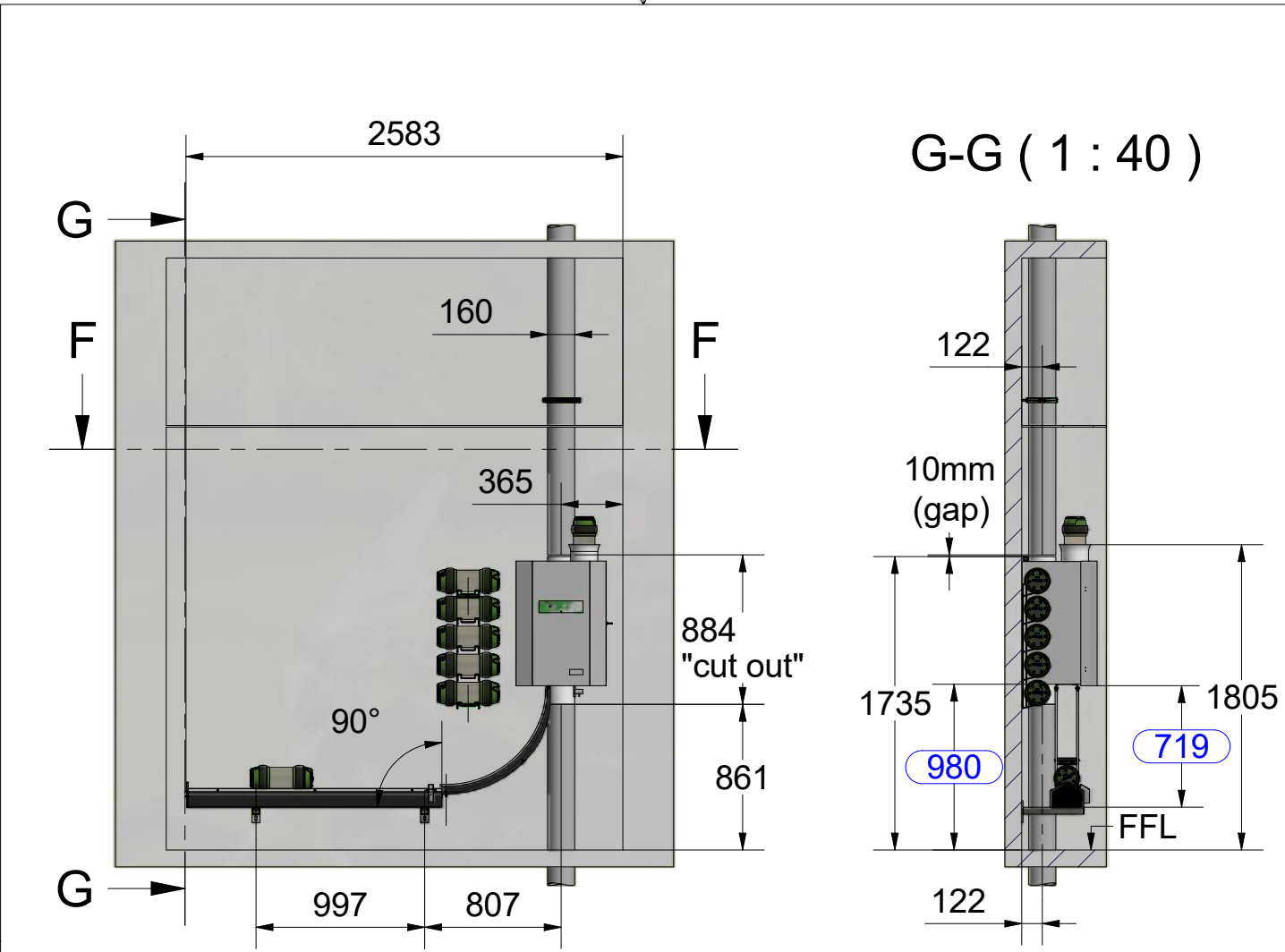


In the interest of continuous improvement and upgrade of our products Hörtig reserves the right to change the technical specifications at any time, without prior notice.



Do not install any tube clamp under the station/above the basket area
It may collide with the carriers





F-F (1 : 40)