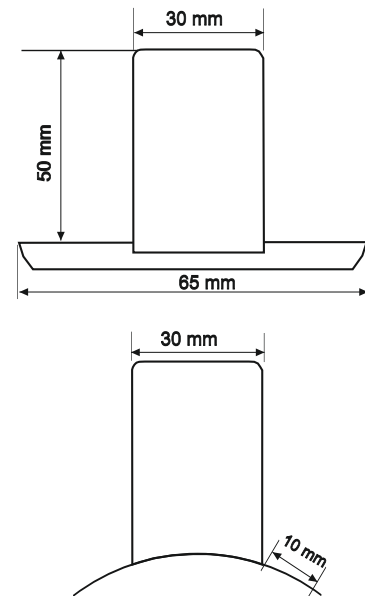
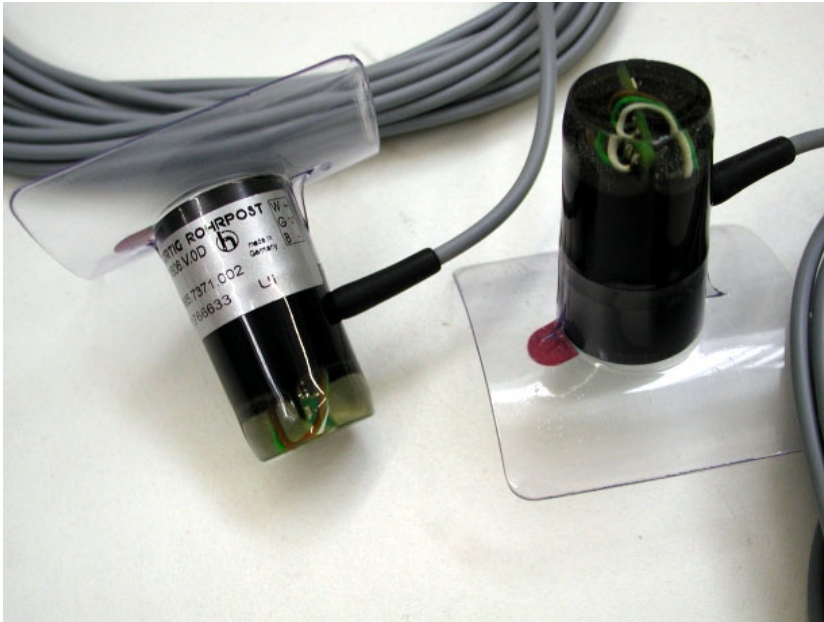


1.1606.V.0D

Optical Carrier Sensor



For

- Optical carrier sensor as infrared-light reflection switch

Characteristics

- Sensing distance: 55 mm
- Operation voltage: 12 – 36 VDC
- Power consumption: max. 4 mA
- Output switching current: max. 200 mA
- Output function: minus closer (NPN-transistor)
- Temperature range: -20 – +70°C
- Protection class: Ip67
- ESD protected
- Works in daylight
- Waterproof

Installation

- Direct connection to the station control unit which is placed in or beside the station or a diverter
- Glued onto the tube

Delivery Scope

- 10 m connecting cable

We reserve the right of changes!